



STYLE NO: V1582000TX "MISSION OAK"

SOUTHERN ENTERPRISES INC.

"Mission" Wall-Mount Jewelry Armoire

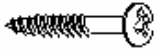
RELAX... If you can follow a few easy, step-by-step directions in order YOU CAN ASSEMBLE THIS ITEM.

PLEASE FIND HARDWARE IN RED POLYBAG BEFORE DISCARDING THE PACKING MATERIALS.

HARDWARE LIST

(1) WOOD SCREWS

3PCS



(2) WALL FILLS

3PCS



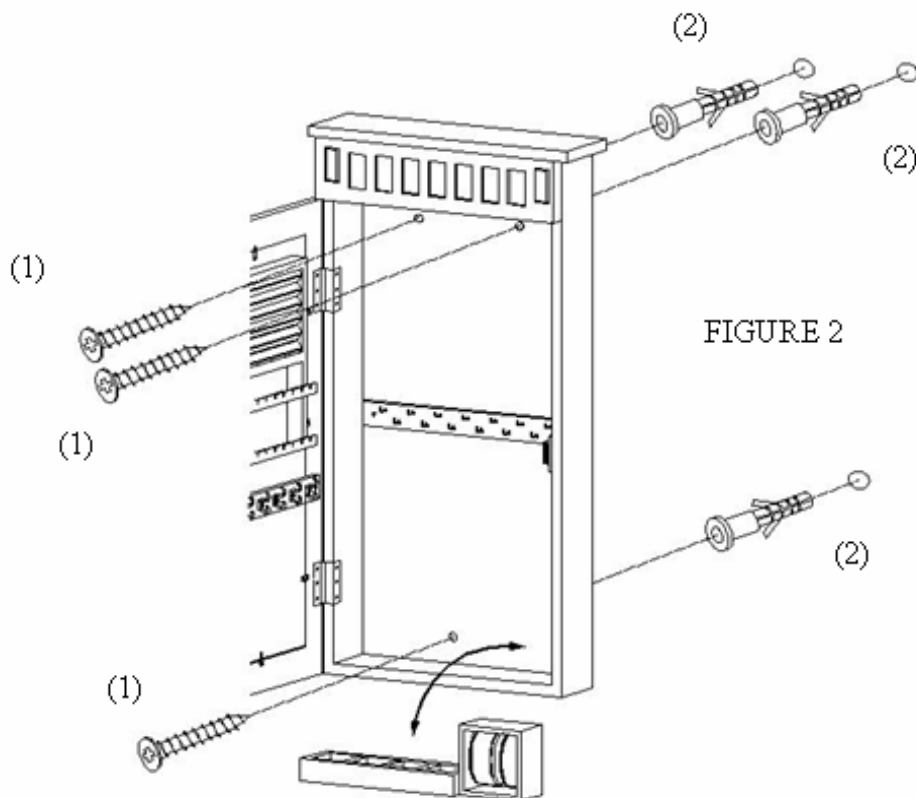
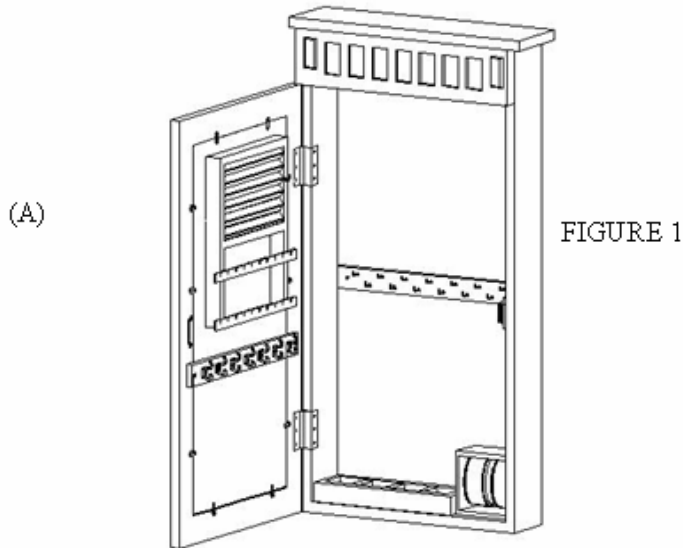
(A) ARMOIRE

1PC



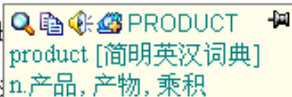
ASSEMBLY INSTRUCTIONS

1. OPEN THE CARTON, CLEAN THE UNIT (A) WELL AND OPEN THE DOOR PANEL. CHECK IF ALL THE PARTS INSIDE ARE PRESENT. (AS SHOWN IN FIGURE 1).
2. INSERT PLASTIC PLUG (2) INTO THE WALL FIRST; LOCKING UP THE UNIT (A) INTO THE WALL WITH SCREW NAIL (1); AND LAST CHECK IF THE UNIT (A) IS ATTACHED ON THE WALL FIRMLY. (AS SHOWN IN FIGURE 2).



WALL MOUNT JEWELRY ARMOIRE.

Please count, identify and compare parts and hardware list to be sure all parts are present. It may help to divide parts and label them to correspond with part list. Extra hardware may be included. If any items are missing, please contact our parts/service department at (800) 633-5096 or in Dallas (972) 869-0111/ 9am – 4pm Mon-Fri Central time. Missing or damaged hardware and/ or parts will be replaced free of charge. WE DO NOT SELL PARTS. WE DO NOT RECOMMEND MODIFYING PRODUCT(S) AND WE ARE NOT RESPONSIBLE FOR ANY DAMAGES DUE TO PRODUCT MODIFICATION(S). If the product was purchased from our retail affiliates (within 9 months), we are under no obligation to provide replacement merchandise. Parts will not be available for items arriving fully assembled.



PARTS REPLACEMENT FORM

STYLE NO: **V1582000TX** "MISSION OAK"

Customer Name _____

PARTS
LETTER

PART
DESCRIPTION

QUANTITY
NEEDED

Street, City, State, Zip _____

Phone# _____



Please indicate where you purchased this item.

Store/website/catalog _____

/ /

Please indicate color/size/style number

SOUTHERN ENTERPRISES INC.
P.O. Box 59996 Dallas, Texas 75229

/ /